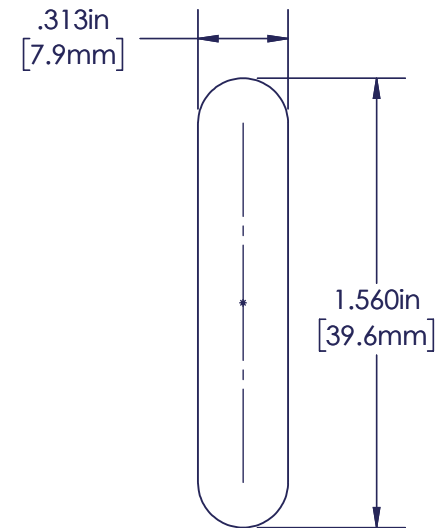


RECOMMENDED FABRICATION



CUSTOMER PAGE



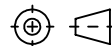
Engineered Solutions. Trusted Results.

THE INFORMATION CONTAINED IN THIS DRAWING IS CONFIDENTIAL AND PROPRIETARY. THIS DRAWING IS NOT TO BE COPIED OR REPRODUCED IN WHOLE OR IN PART WITHOUT EXPRESS WRITTEN PERMISSION.

INTERPRET PER:  
ASME Y14.5M-2009

UNITS: INCH

THIRD ANGLE  
PROJECTION



DRAWING TITLE:  
VENT STOP

SCALE: 3:2

DRAWING #:

86099

SHEET 1 OF 1